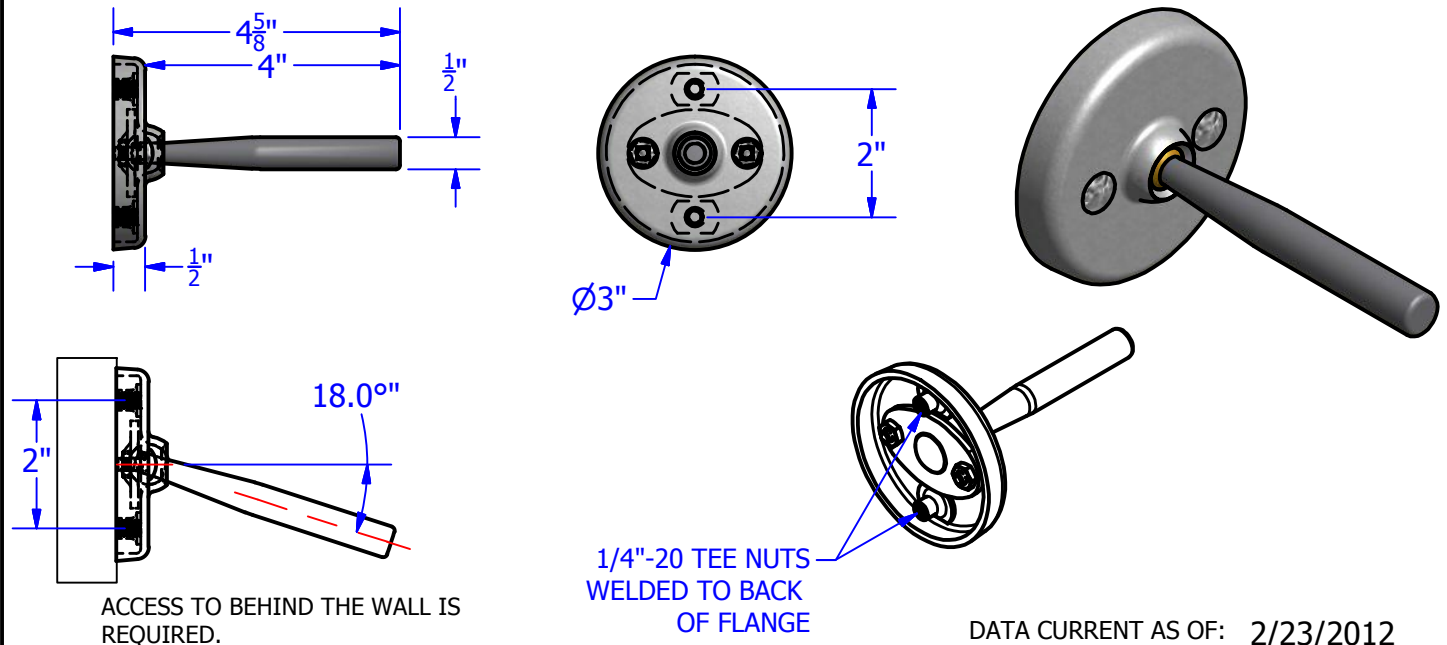




# Technical Data

## S-4045-SS ATI-LIGATURE TOILET PAPER HOLDER CONCEALED MOUNTING



### Construction:

- FLANGE: 11 GAUGE X 3" DIAMETER TYPE 304 STAINLESS STEEL
- ROD: 1/2"Ø STAINLESS STEEL ROD WITH PIVOTING JOINT THAT RELEASES UNDER EXCESSIVE LOAD.
- TEE NUTS: (2) 1/4"-20 STAINLESS STEEL WELDED TO BACK OF FLANGE.

### Operation:

- ROD WITH PIVOTING BALL JOINT RELEASES WHEN EXCESSIVE LOAD IS APPLIED.
- ROD IS RESET BY HAND WHEN REQUIRED.

### Installation:

- MARK HOLES AT DESIRED HEIGHT AND ON 2IN. CENTERS. DRILL HOLES FOR 1/4" WALL STUDS NOT INCLUDED.
- INSERT WALL STUDS THROUGH THE HOLES AND THREAD INTO TEE-NUTS.
- FASTEN WITH WASHER AND NUTS.
- ACCESS IS REQUIRED TO BACK OF WALL.
- CUT WALL STUDS LONG ENOUGH FOR WALL THICKNESS, THREAD ENGAGEMENT, WASHERS AND NUTS.

### Guide Specification:

- HOLDS ONE STANDARD 5 IN.Ø X 4 1/2" LONG TOILET TISSUE ROLL.
- CONCEALED MOUNTING.
- ROD RELEASES WHEN EXCESSIVE LOAD IS APPLIED.
- ONE PIECE ANTI-LIGATURE CONSTRUCTION, SATIN #4 FINISH.

Brey-Krause Mfg. reserves the right to make changes in design and/or material without formal notice and without incurring any obligation.

© Copyright 2012  
BREY-KRAUSE MANUFACTURING

BREY-KRAUSE MANUFACTURING  
1209 W. Lehigh Street, Bethlehem, PA 18018  
Phone: 610-867-1401 Fax: 610-866-1433  
www.brey-krause.com